



TECHNICAL DATA

Model	Sensor type	Image sensor	Resolution [px]	Format	Pixel size [µm]	Frames per second	Shutter
IA2009M	monochrome	IMX287	728 x 544	1/2.9"	6.9	280	global
IA2009C	color	IMX287	728 x 544	1/2.9"	6.9	280	global
IA2107M	monochrome	IMX273	1456 x 1088	1/2.9"	3.45	150	global
IA2107C	color	IMX273	1456 x 1088	1/2.9"	3.45	150	global
IA2305M	monochrome	IMX252	2048 x 1536	1/1.8"	3.45	65	global
IA2305C	color	IMX252	2048 x 1536	1/1.8"	3.45	65	global
IA2312M	monochrome	IMX265	2048 x 1536	1/1.8"	3.45	53	global
IA2312C	color	IMX265	2048 x 1536	1/1.8"	3.45	53	global
IA2504M	monochrome	IMX250	2448 x 2048	2/3"	3.45	65	global
IA2504C	color	IMX250	2448 x 2048	2/3"	3.45	65	global
IA2511M	monochrome	IMX264	2448 x 2048	2/3"	3.45	34	global
IA2511C	color	IMX264	2448 x 2048	2/3"	3.45	34	global
IA1503M	monochrome	AR0521	2592 x 1944	1/2.5"	2.2	67	rolling
IA1503C	color	AR0521	2592 x 1944	1/2.5"	2.2	67	rolling
IA1513IR	monochrome / NIR	AR0522	2592 x 1944	1/2.5"	2.2	67	rolling
IA21202M	monochrome	IMX226	4072 x 3046	1/1.7"	1.85	41	rolling
IA21202C	color	IMX226	4072 x 3046	1/1.7"	1.85	41	rolling

IMAGE PROCESSING

CPU	Zynq Ultrascale+02/+05 / MPSoCs Quad Core ARM, max. 1,5 GHz Cortex A53 MR CORE	
RAM	2 GB DDR4 x64	2 – 16 GB DDR4 x16
eMMC	8 GB	8 – 64 GB
FPGA	ZU+02	ZU+05
Operating system	Xilinx Linux (Petalinux, Yocto)	
Image libraries	Xilinx Vitis United Software Platform HALCON, MIL (Matrox Imaging Library), Adaptive Vision Studio, OpenCV	
Internal sensor interface	GenICam (SynView SDK)	

INTERFACES

Networking	Gigabit Ethernet, GigE Vision (GenICam)
Optional	DisplayPort, Fieldbus LAN, RS232, USB3.0
Digital input /output	4x input 3x output incl. strobe, trigger

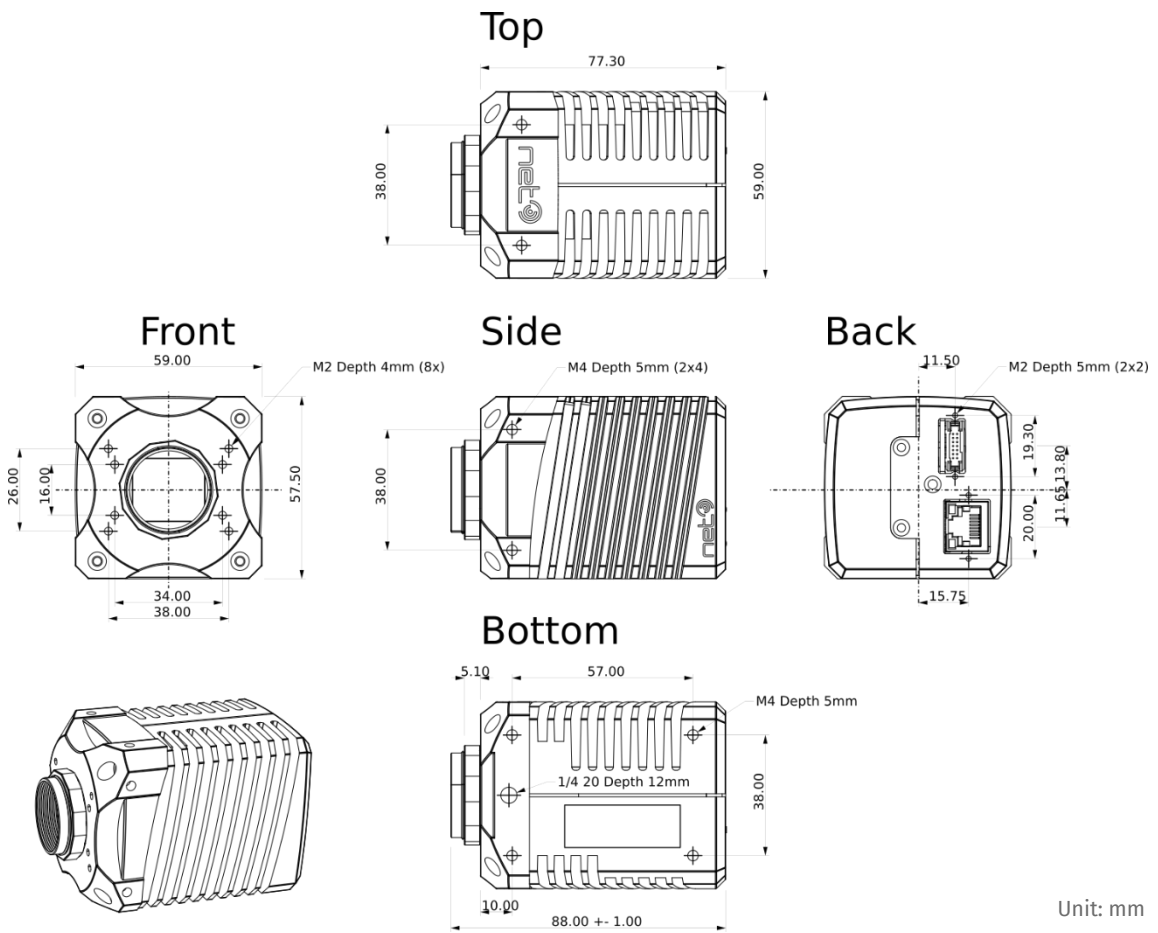
iam

Integrated Smart Vision System



MACHINE VISION

LAYOUT



Lens mount	C, S / M12, F, M42
Dimensions (WxHxD) [mm]	59 x 57.5 x 77 (excl. front piece)
Weight [g]	~400
Power supply	24V or PoE
Power consumption	<15W
Operating temperature [°C]	0 to +50
Certification	CE, FCC