

computar

M0528-MPW3

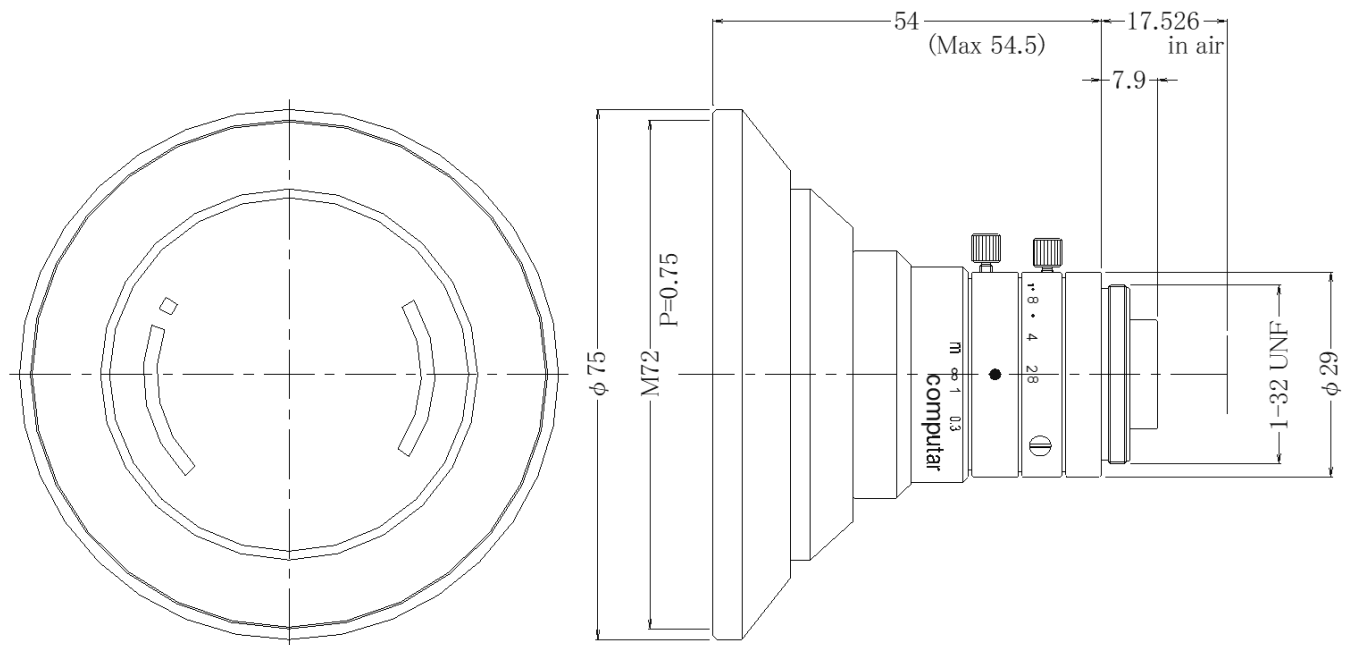
f = 5mm F 2.8
 For 2/3 type 6 Megapixel Cameras
 C-Mount

Model No.	M0528-MPW3		Effective	Front	φ 45.5mm	
Focal Length	5mm		Lens Aperture	Rear	φ 9.9mm	
Max. Aperture Ratio	1:2.8		Distortion	2/3 type(Y=5.5mm)	0.03%	
Max. Image Format	8.8mm x 6.6mm(φ 11mm)			1/1.8 type(Y=4.5mm)	-2.14%	
Operation Range	Iris	F2.8 - 16.0		1/2.5 type(Y=3.55mm)	-2.72%	
	Focus	0.1m - inf.		Back Focal Length	9.2mm	
Control	Iris	Manual		Flange Back Length	17.526mm	
	Focus	Manual		Mount	C-Mount	
Object Dimension at M.O.D.	2/3 Type	216.0 x 160.4 mm		Filter Size	M72 P=0.75mm	
	1/1.8 Type	175.6 x 130.0 mm		Dimensions	φ 75mm x 54mm	
	1/2.5 Type	137.6 x 102.6 mm		Weight	163g	
Angle of View	D	2/3 type	1/1.8 type	83.8°	1/2.5 type	71.4°
				83.2°		59.8°
	H		67.5°	58.3°		46.6°
	V					
Operating Temperature	-10°C - +50°C					

2/3 type

C

Dimensions



M1228-MPW3

f = 12mm F 2.8
 For 2/3 type 6 Megapixel Cameras
 C-Mount

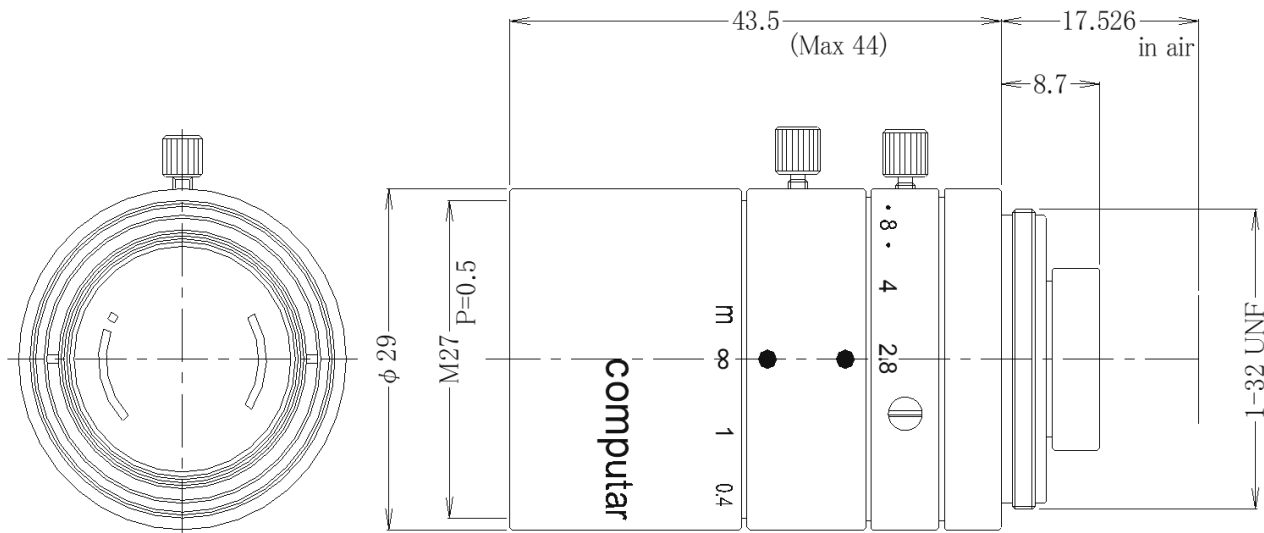
Model No.	M1228-MPW3		Effective	Front	ϕ 18.8mm		
Focal Length	12mm		Lens Aperture	Rear	ϕ 10.3mm		
Max. Aperture Ratio	1:2.8		Distortion	2/3 type(Y=5.5mm)	-0.10%		
Max. Image Format	8.8mm x 6.6mm(ϕ 11mm)			1/1.8 type(Y=4.5mm)	0.04%		
Operation Range	Iris	F2.8 - 16.0		1/2.5 type(Y=3.55mm)	0.00% *		
	Focus	0.1m - inf.		Back Focal Length	9.2mm		
Control	Iris	Manual		Flange Back Length	17.526mm		
	Focus	Manual		Mount	C-Mount		
Object Dimension at M.O.D.	2/3 Type	83.0 x 62.0 mm		Filter Size	M27 P=0.5mm		
	1/1.8 Type	67.7 x 50.6 mm		Dimensions	ϕ 29mm x 43.5mm		
	1/2.5 Type	53.4 x 40.2 mm		Weight	60g		
Angle of View	D	2/3 type	49.3°	1/1.8 type	40.8°	1/2.5 type	33.0°
	H		40.3°		33.1°		26.7°
	V		30.8°		26.0°		20.3°
Operating Temperature	-10°C - +50°C						

2/3 type

C

*Described up to two decimal places.

Dimensions



M1628-MPW3

f = 16mm F 2.8

For 2/3 type 6 Megapixel Cameras

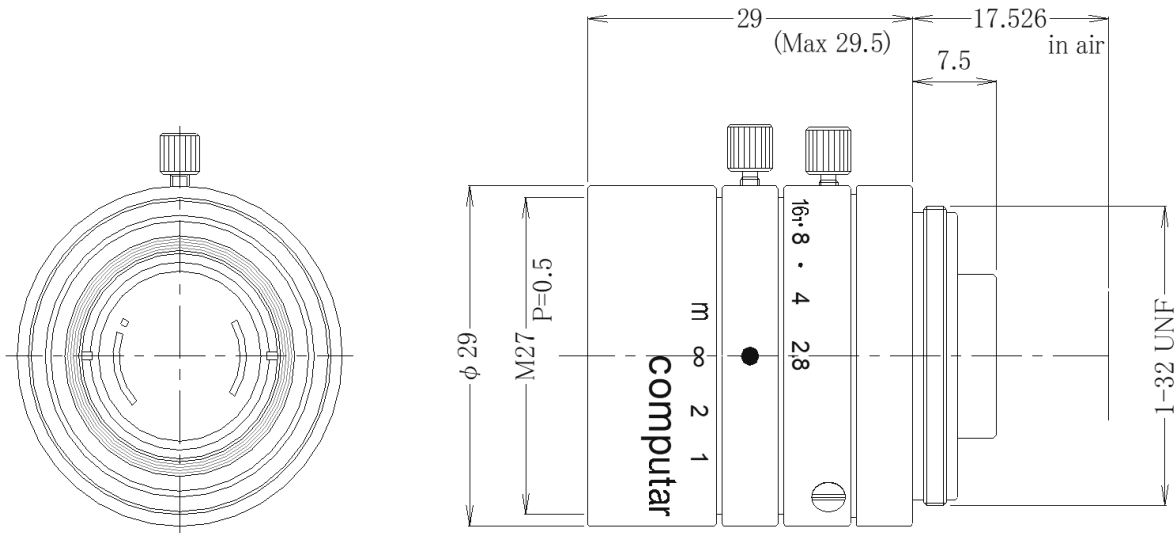
C-Mount

Model No.	M1628-MPW3		Effective	Front	ϕ 14.1mm		
Focal Length	16mm		Lens Aperture	Rear	ϕ 9.1mm		
Max. Aperture Ratio	1:2.8		Distortion(INF)	2/3 type(Y=5.5mm)	0.47%		
Max. Image Format	8.8mm x 6.6mm(ϕ 11.0mm)			1/1.8 type(Y=4.5mm)	0.15%		
Operation Range	Iris	F2.8 - 16.0		1/2.5 type(Y=3.55mm)	0.03%		
	Focus	0.25m - inf.	Back Focal Length		10.3mm		
Control	Iris	Manual	Flange Back Length		17.526mm		
	Focus	Manual	Mount		C-Mount		
Object Dimension at M.O.D.	2/3 Type	140.6 x 105.4 mm		Filter Size	M27 P=0.5mm		
	1/1.8 Type	115.0 x 86.2 mm		Dimensions	ϕ 29mm x 29mm		
	1/2.5 Type	91.0 x 68.6 mm		Weight	37g		
Angle of View	D	2/3 type	37.8°	1/1.8 type	31.4°	1/2.5 type	25.0°
			30.7°		25.3°		20.2°
			23.3°		19.2°		15.3°
Operating Temperature	-10°C - +50°C						

2/3
type

C

Dimensions



M3528-MPW3

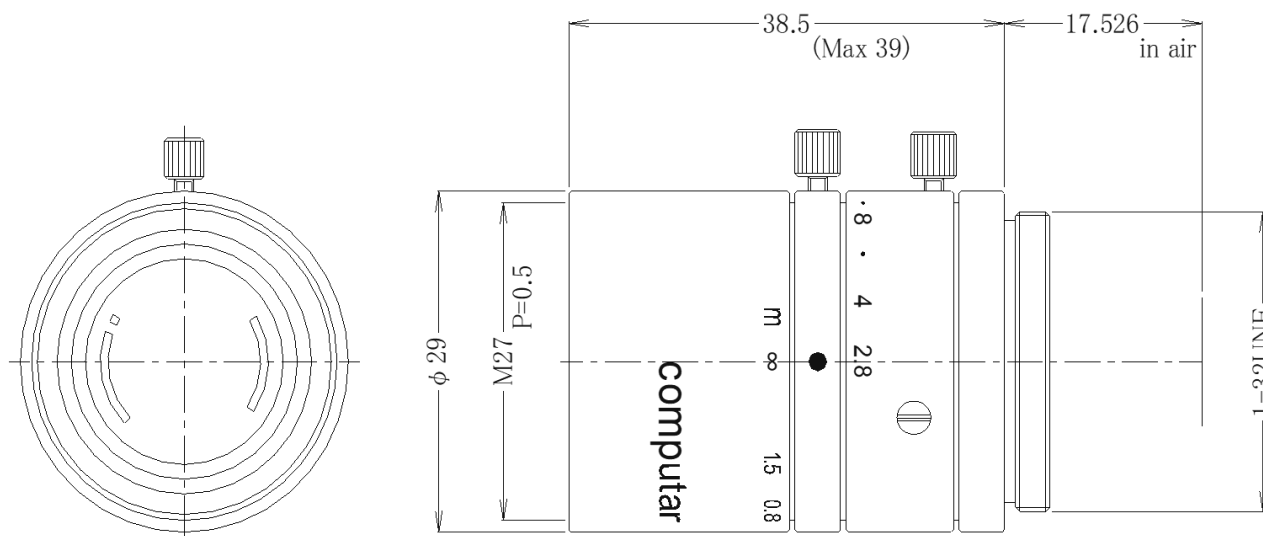
f = 35mm F 2.8
 For 2/3 type 6 Megapixel Cameras
 C-Mount

Model No.	M3528-MPW3		Effective	Front	ϕ 17.8mm			
Focal Length	35mm		Lens Aperture	Rear	ϕ 11.8mm			
Max. Aperture Ratio	1:2.8		Distortion(∞)	2/3 type(Y=5.5mm)	0.06%			
Max. Image Format	8.8mm x 6.6mm(ϕ 11mm)			1/1.8 type(Y=4.5mm)	0.04%			
Operation Range	Iris	F2.8 - 16.0		1/2.5 type(Y=3.55mm)	0.03%			
	Focus	0.25m - inf.	Back Focal Length	18.0mm				
Control	Iris	Manual	Flange Back Length	17.526mm				
	Focus	Manual	Mount	C-Mount				
Object Dimension at M.O.D.	2/3 Type	45.1 x 33.8mm	Filter Size	M27 P=0.5mm				
	1/1.8 Type	36.6 x 27.4mm	Dimensions	ϕ 29mm x 38.5mm				
	1/2.5 Type	29.3 x 21.9mm	Weight	48g				
Angle of View	D	2/3 type	17.9°	1/1.8 type	14.4°	1/2.5 type	11.6°	
	H				14.3°		ϕ 7.1	9.3°
	V				10.8°			8.7°
Operating Temperature	-10°C - +50°C							

2/3
type

C

Dimensions



M5028-MPW3

f = 50mm F 2.8

For 2/3 type 6 Megapixel Cameras

C-Mount

Model No.	M5028-MPW3		Effective	Front	ϕ 17.8mm		
Focal Length	50mm		Lens Aperture	Rear	ϕ 9.9mm		
Max. Aperture Ratio	1:2.8		Distortion	2/3 type(Y=5.5mm)	0.00% *		
Max. Image Format	8.8mm x 6.6mm(ϕ 11mm)			1/1.8 type(Y=4.5mm)	0.00% *		
Operation Range	Iris	F2.8 - 16.0		1/2.5 type(Y=3.55mm)	0.00% *		
	Focus	0.3m - inf.		Back Focal Length	26.3mm		
Control	Iris	Manual		Flange Back Length	17.526mm		
	Focus	Manual		Mount	C-Mount		
Object Dimension at M.O.D.	2/3 Type	64.1 x 48.1 mm		Filter Size	M27 P=0.5mm		
	1/1.8 Type	52.5 x 39.4 mm		Dimensions	ϕ 29mm x 56mm		
	1/2.5 Type	41.5 x 31.3 mm		Weight	65g		
Angle of View	D	2/3 type	12.5°	1/1.8 type	10.2°	1/2.5 type	8.1°
	H		10.0°		8.2°		6.5°
	V		7.5°		6.2°		4.9°
Operating Temperature	-10°C - +50°C						

2/3
type

C

*Described up to two decimal places.

Dimensions

