

Ultra-Low Distortion & Compact Design

NEW



1.4 inch 45MP Ultra-High-Resolution

Machine Vision Lens

MPT Series

5 Lens Series: 12/16/25/35/50mm
C-Mount for 1.4inch Large Format Sensor

IMX530
2.74Qm 24MP

IMX492
2.3Qm 45MP

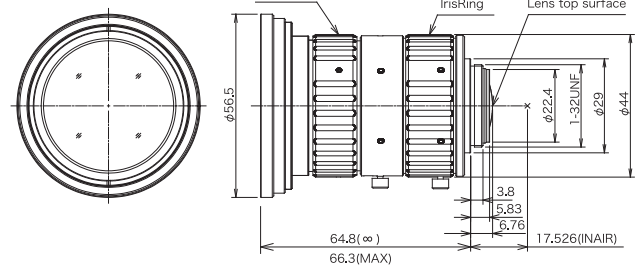
1.4inch 45MP MPT Series

F1228-MPT

| | | | | | | | | | | |
|---------------------|-------|--------------|--|-----------------------|---------------|---------------|-------|----------|-------|--|
| Focal Length | | 12mm | | Distortion (Inf.) | | 1.4 Type | | 0.13% | | |
| Max. Aperture Ratio | | 1:2.8 | | Operating Temperature | | -10°C - +50°C | | | | |
| Max. Image Format | | φ23.1mm | | Mount | | C-Mount | | | | |
| Operation Range | Iris | F2.8 - F16.0 | | Filter Size | M72 P=0.75mm* | | | | | |
| | Focus | 0.15m - Inf. | | | Weight | 205g | | | | |
| Angle of View | D | 86.1° | | 1.2 Type | | 76.6° | | 1.1 Type | 71.6° | |
| | H | 1.4 Type | | | 61.9° | | 60.4° | | | |
| | V | 56.2° | | | 54.8° | | 46.1° | | | |
| | | | | | | | | | | |

*For using filters, please attach TM-1243 (Sold Separately).

Dimensions

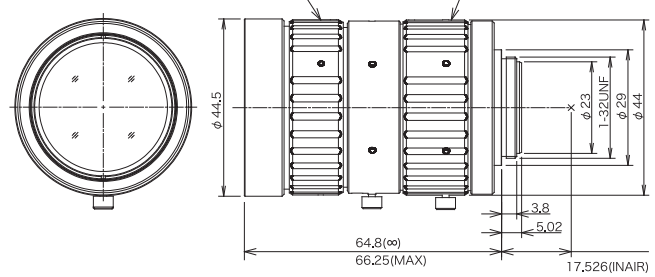


F1628-MPT

| | | | | | | | | | | |
|---------------------|-------|--------------|--|-----------------------|---------------|---------------|-------|----------|-------|--|
| Focal Length | | 16mm | | Distortion (Inf.) | | 1.4 Type | | 0.06% | | |
| Max. Aperture Ratio | | 1:2.8 | | Operating Temperature | | -10°C - +50°C | | | | |
| Max. Image Format | | φ23.1mm | | Mount | | C-Mount | | | | |
| Operation Range | Iris | F2.8 - F16.0 | | Filter Size | M52 P=0.75mm* | | | | | |
| | Focus | 0.15m - Inf. | | | Weight | 187g | | | | |
| Angle of View | D | 70.1° | | 1.2 Type | | 61.0° | | 1.1 Type | 56.5° | |
| | H | 1.4 Type | | | 48.1° | | 46.9° | | | |
| | V | 43.4° | | | 42.2° | | 35.2° | | | |
| | | | | | | | | | | |

*For using filters, please attach TM-1643 (Sold Separately).

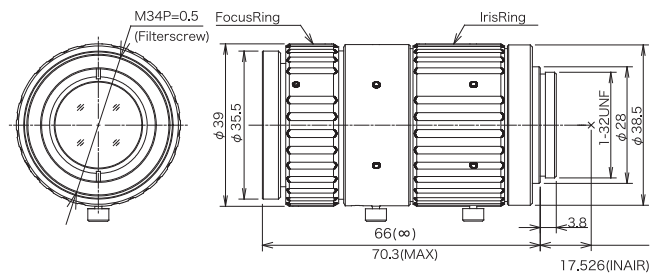
Dimensions



F2524-MPT

| | | | | | | | | | | |
|---------------------|-------|--------------|--|-----------------------|-------------|---------------|-------|----------|-------|--|
| Focal Length | | 25mm | | Distortion (Inf.) | | 1.4 Type | | 0.06% | | |
| Max. Aperture Ratio | | 1:2.4 | | Operating Temperature | | -10°C - +50°C | | | | |
| Max. Image Format | | φ23.1mm | | Mount | | C-Mount | | | | |
| Operation Range | Iris | F2.4 - F16.0 | | Filter Size | M34 P=0.5mm | | | | | |
| | Focus | 0.15m - Inf. | | | Weight | 152g | | | | |
| Angle of View | D | 49.6° | | 1.2 Type | | 42.4° | | 1.1 Type | 39.0° | |
| | H | 1.4 Type | | | 32.7° | | 31.8° | | | |
| | V | 29.3° | | | 28.5° | | 23.6° | | | |
| | | | | | | | | | | |

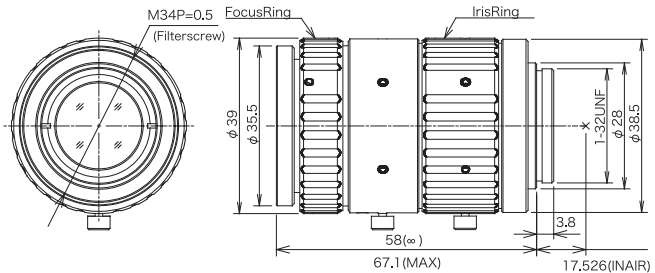
Dimensions



F3526-MPT

| | | | | | | | | | | |
|---------------------|-------|--------------|--|-----------------------|-------------|---------------|-------|----------|-------|--|
| Focal Length | | 35mm | | Distortion (Inf.) | | 1.4 Type | | 0.01% | | |
| Max. Aperture Ratio | | 1:2.6 | | Operating Temperature | | -10°C - +50°C | | | | |
| Max. Image Format | | φ23.1mm | | Mount | | C-Mount | | | | |
| Operation Range | Iris | F2.6 - F16.0 | | Filter Size | M34 P=0.5mm | | | | | |
| | Focus | 0.15m - Inf. | | | Weight | 122g | | | | |
| Angle of View | D | 36.6° | | 1.2 Type | | 30.9° | | 1.1 Type | 28.3° | |
| | H | 1.4 Type | | | 23.6° | | 23.0° | | | |
| | V | 21.1° | | | 20.5° | | 16.9° | | | |
| | | | | | | | | | | |

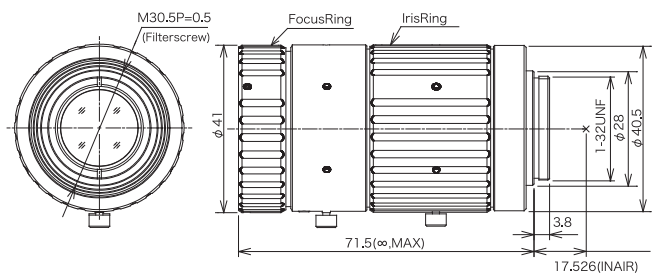
Dimensions



F5026-MPT

| | | | | | | | | | | |
|---------------------|-------|--------------|--|-----------------------|---------------|---------------|-------|----------|-------|--|
| Focal Length | | 50mm | | Distortion (Inf.) | | 1.4 Type | | -0.03% | | |
| Max. Aperture Ratio | | 1:2.6 | | Operating Temperature | | -10°C - +50°C | | | | |
| Max. Image Format | | φ23.1mm | | Mount | | C-Mount | | | | |
| Operation Range | Iris | F2.6 - F16.0 | | Filter Size | M30.5 P=0.5mm | | | | | |
| | Focus | 0.25m - Inf. | | | Weight | 151g | | | | |
| Angle of View | D | 26.1° | | 1.2 Type | | 21.9° | | 1.1 Type | 20.0° | |
| | H | 1.4 Type | | | 16.7° | | 16.2° | | | |
| | V | 14.9° | | | 14.4° | | 11.9° | | | |
| | | | | | | | | | | |

Dimensions



Head Quarters
CBC Co., Ltd.

BDM Div. Industrial Optics Department 2-15-13, Tsukishima, Chuo-ku, Tokyo, 104-0052, Japan
TEL:+81(0)3 3536 4766 FAX:+81(0)3 3536 4172

CBC株式会社

BDM Div. Industrial Optics Department 〒104-0052 東京都中央区月島2-15-13 TEL:03-3536-4586 FAX:03-3536-4172

www.computar-global.com
<https://computar.com/>

Ultra-Low Distortion & Compact Design

NEW



4/3 inch

Ultra-High-Resolution

Machine Vision Lens

MPT Series

5 Lens Series : 12/16/25/35/50mm
C-Mount for 4/3" Large Format Sensor

IMX530
2.74 μ m 24MP

IMX492
2.3 μ m 45MP

Various new models and
concepts **computar** lineup.



1 inch 20Megapixel

MPZ Series

2/3 inch 6Megapixel

MPW3 Series



Lens onnect

New remote control concept

coming
soon

coming
soon

VISWIR ViSWIR Series (400-1700nm)

for New InGaAs Sensor IMX990



CBC Co., Ltd.

www.computar-global.com

<https://computar.com/>

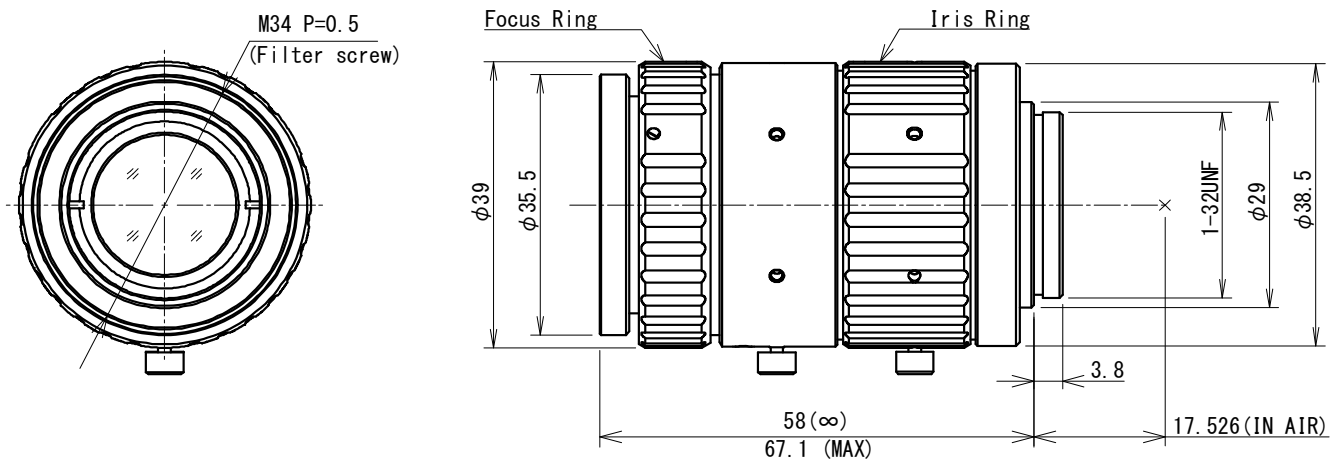
F3526-MPT

f=35mm F2.6

**for 1.4 Type 45 Megapixel cameras, Fixed-focal
C-Mount**

| | | | | | | | |
|-----------------------|-------------|-------------------|-------|--------------------|----------|-------------------|-------|
| Model No. | | F3526-MPT | | Effective | Front | φ 19.1mm | |
| Focal Length | | 35mm | | Lens Aperture | Rear | φ 18.4mm | |
| Max. Aperture Ratio | | 1:2.6 | | Distortion (Inf.) | 1.4 Type | 0.01% | |
| Image Circle Diameter | | φ 23.1mm | | Back Focal Length | | 23.1mm | |
| Operation Range | Iris | F2.6 - F16.0 | | Flange Back Length | | 17.526mm | |
| | Focus | 0.15m - Inf. | | Mount | | C-Mount | |
| Control | Iris | Manual | | Filter Size | | M34 P=0.5mm | |
| | Focus | Manual | | Dimensions | | φ 39mm × 58mm | |
| Operating Temperature | | -10°C - +50°C | | Weight | | 122g | |
| Angle of View | Sensor Size | 1.4 Type | | 1.2 Type | | 1.1 Type | |
| | Diagonal | 19.08mm × 13.03mm | 36.6° | 14.60mm × 12.63mm | 30.9° | 14.19mm × 10.38mm | 28.3° |
| | Horizontal | (φ 23.1mm) | 30.6° | (φ 19.3mm) | 23.6° | (φ 17.6mm) | 23.0° |
| | Vertical | | 21.1° | | 20.5° | | 16.9° |

Dimensions



F2524-MPT

f=25mm F2.4

for 1.4 Type 45 Megapixel cameras, Fixed-focal
C-Mount

| | | | | | | | |
|-----------------------|-------------|-------------------|-------|--------------------|----------|-------------------|-------|
| Model No. | | F2524-MPT | | Effective | Front | φ 20.7mm | |
| Focal Length | | 25mm | | Lens Aperture | Rear | φ 18.7mm | |
| Max. Aperture Ratio | | 1:2.4 | | Distortion (Inf.) | 1.4 Type | 0.06% | |
| Image Circle Diameter | | φ 23.1mm | | Back Focal Length | | 18.1mm | |
| Operation Range | Iris | F2.4 - F16.0 | | Flange Back Length | | 17.526mm | |
| | Focus | 0.15m - Inf. | | Mount | | C-Mount | |
| Control | Iris | Manual | | Filter Size | | M34 P=0.5mm | |
| | Focus | Manual | | Dimensions | | φ 39mm × 66mm | |
| Operating Temperature | | -10°C - +50°C | | Weight | | 152g | |
| Angle of View | Sensor Size | 1.4 Type | | 1.2 Type | | 1.1 Type | |
| | Diagonal | 19.08mm × 13.03mm | 49.6° | 14.60mm × 12.63mm | 42.4° | 14.19mm × 10.38mm | 39.0° |
| | Horizontal | (φ 23.1mm) | 41.9° | (φ 19.3mm) | 32.7° | (φ 17.6mm) | 31.8° |
| | Vertical | | 29.3° | | 28.5° | | 23.6° |

Dimensions

