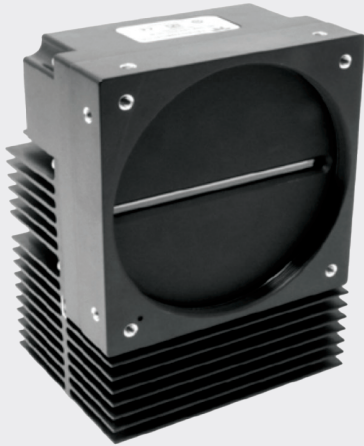


LINEA™ HS BSI

BSI TDI Mono/HDR Camera



KEY FEATURES

- Backside illumination
- High resolution and High-speed
- High-sensitivity for UV/visible imaging
- Programmable coefficient sets
- Flat field and lens shading correction
- Long optical cable length

TYPICAL APPLICATIONS

- Flat panel inspection
- Wafer inspection
- PCB and electronics
- Gene sequencing
- Digital pathology
- Fluorescence imaging
- General machine vision

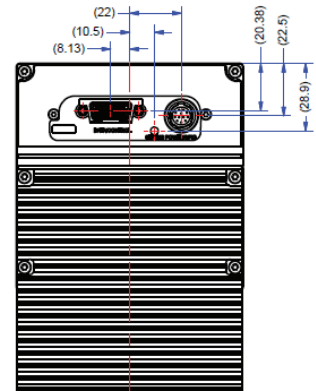
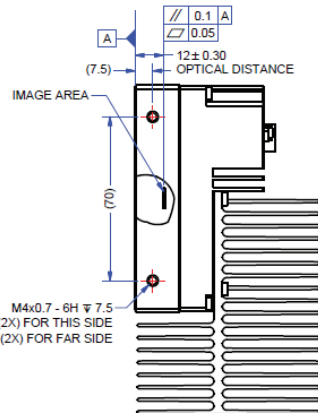
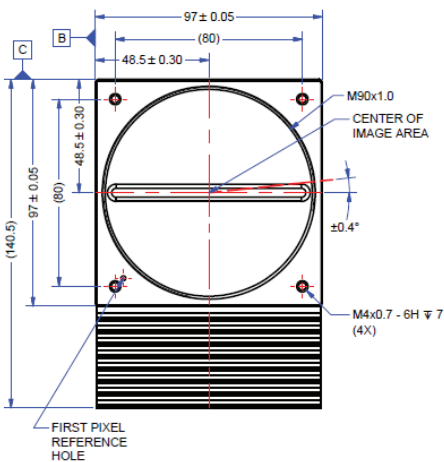
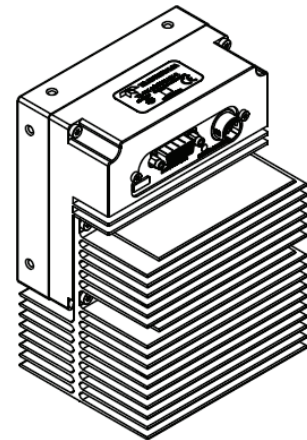
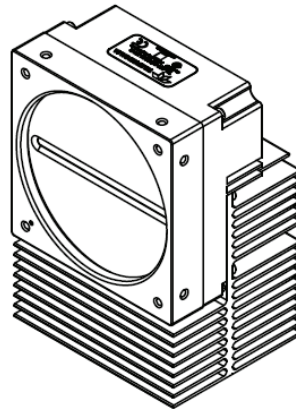
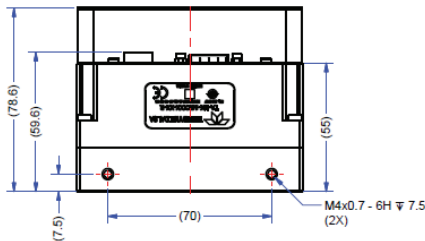
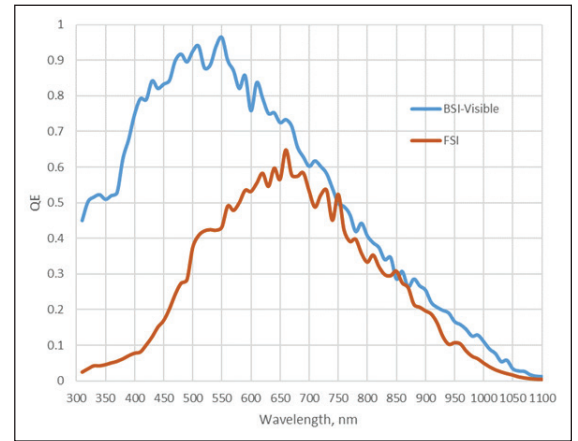
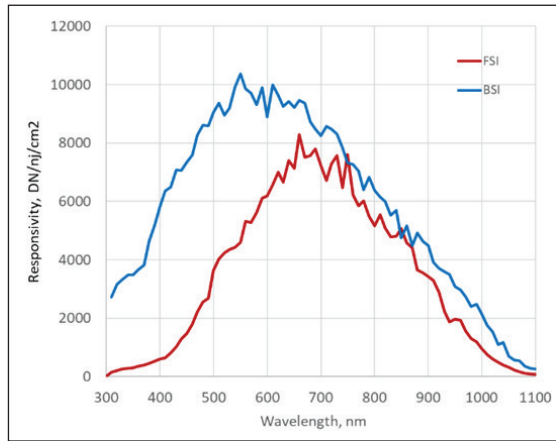
High-Speed and High-Sensitivity BSI TDI

Based on Teledyne DALSA's industry leading CMOS TDI technology, the award-winning Linea HS™ cameras are the most advanced TDI products in the marketplace. The backside illumination camera significantly enhances the sensitivity in particular for UV/visible imaging. The camera comes with the next-generation CLHS interface, delivering up to 8.4 Gigapixels per second over a single active optical cable.

SPECIFICATIONS

	HL-HM-09k40H-00-B	HL-HM-16k40H-00-B
RESOLUTION (pixels)	9,216 x (128+64)	16,384 x (128+64)
LINE RATE (kHz)	400/200	
PIXEL SIZE (µm)	5 x 5	
OUTPUT	Mono/HDR	
DATA FORMAT (bit)	8 or 12	
DYNAMIC RANGE (dB)	70	
FULL WELL (ke-)	30	
READ NOISE (e-)	10	
POWER DISSIPATION (W)	30	
OPERATING TEMP (°C)	0 to +65 front plate	
DIMENSION (mm)	97 (W) x 140.5 (H) x 78.6 (D)	
WEIGHT (g)	1200	
LENS MOUNT	M90 x 1	
DATA INTERFACE	CLHS CX4	
POWER AND GPIO	+12 to +24VDC, Hirose 12-pin	

SPECIFICATIONS



NOTES:
 1. UNITS: MILLIMETERS.
 2. IMAGE AREA IS ALIGNED TO DATUMS **A**, **B** & **C**.

FOR MORE INFORMATION CONTACT:

AMERICAS Boston, USA | +1 978-670-2000 | TDI_sales.americas@teledynedalsa.com
 EUROPE Krailling, Germany | +49 89-89-54-57-3-80 | TDI_sales.europe@teledynedalsa.com
 ASIA PACIFIC Tokyo, Japan | +81 3-5960-6353 | TDI_sales.asia@teledynedalsa.com
 Shanghai, China | +86 21-3368-0027 | TDI_sales.asia@teledynedalsa.com

This document does not contain information whose export/transfer/disclosure is restricted by the Canadian Export Control regulation. Teledyne DALSA has its corporate offices in Waterloo, Canada. Teledyne DALSA reserves the right to make changes at any time without notice. © Teledyne DALSA.

Document Number: 03-070-25003
 Revision Date: 2024 03 19