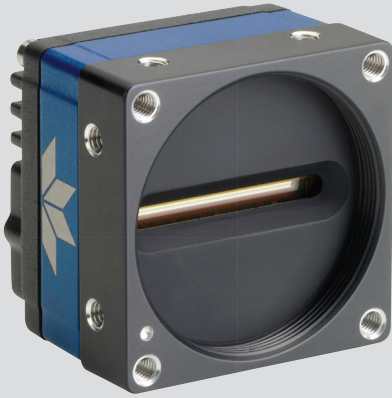


Linea™ Lite

Line Scan Cameras



Key Features

- » Multiple regions of interest for calibration and data reduction
- » 4 programmable coefficient sets
- » Programmable I/Os
- » Compact form factor
- » Precision Time Protocol
- » TurboDrive
- » GigE, PoE

Typical Applications

- » Automated optical inspection
- » Battery inspection
- » Optical sorting systems
- » Food packaging
- » Film and textile
- » Wood inspection
- » Printed materials inspection
- » Materials grading and inspection
- » Web inspection
- » General purpose machine vision

GigE Mono Line Scan Cameras

Compact and cost effective, Linea Lite cameras make line scan more accessible than ever. This multi-resolution line scan series offers multi line monochrome performance at 4k resolution with line rates of up to 25 kHz, or 2k resolution and line rates up to 50 kHz with a GigE Vision® interface.

No matter your application, we made Linea Lite flexible enough to handle a wide variety of tasks, with features to help you detect what's critical.

- High sensitivity mode to see weaker signals.
- Enhanced SNR mode to handle the brightest light sources and discern details in the brightest region of your images.
- HDR mode to simultaneously resolve bright and dark features.
- Precision Time Protocol (PTP) and Power over Ethernet (PoE) to run all of this power through a single cable.

And all of this fits neatly in a package optimized for Size, Weight, Power, and Cost (SWaP-C).

Visit our website to learn more about the Linea Lite series of cameras, or contact your local sales manager. We look forward to hearing from you.

Specifications

Part Number	L2-GM-02K05B-00-A	L2-GM-04K02B-00-A
Resolution	2048 pixels	4096 pixels
Line Rate	50 kHz	25 kHz
Pixel Size	14 µm	7 µm
Interface	GigE	
Data Format	8 or 12 bit	
Dynamic Range (dB)	72	
Full Well (ke-)	30	
Read Noise (e-)	8.5	
Power	+12 to +24V DC HD15 Connector or 48V POE	
Power Dissipation	<5 W	
Operating Temp	-10 to 65°C	
Camera Size	46 x 46 x 37 mm	
Camera Weight	111 g	
Optical Interface	M42	
Control & Data	GigE	

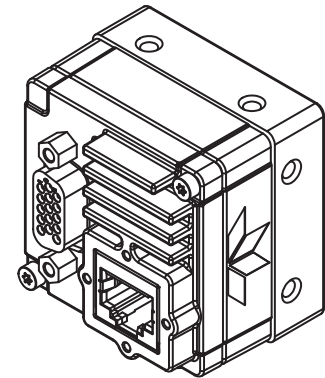
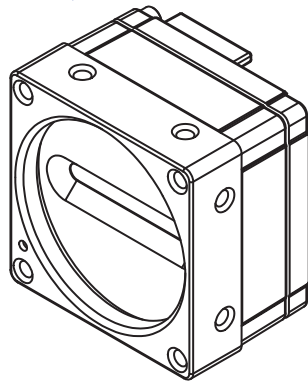
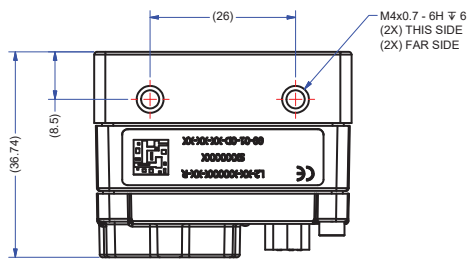
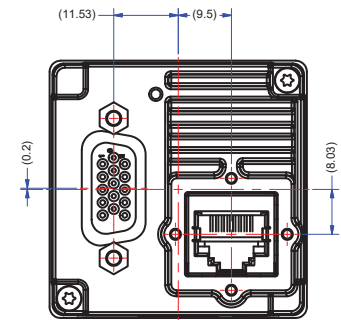
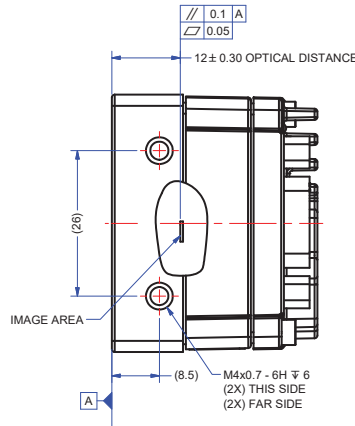
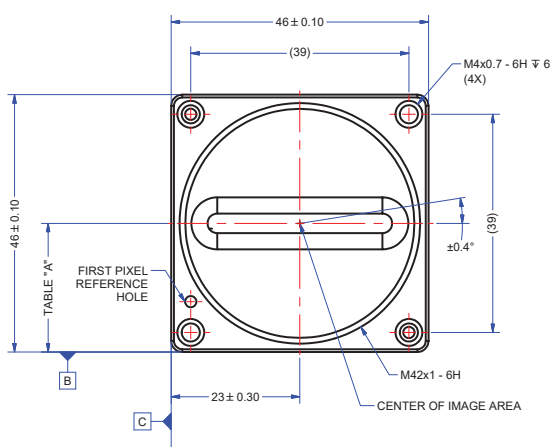
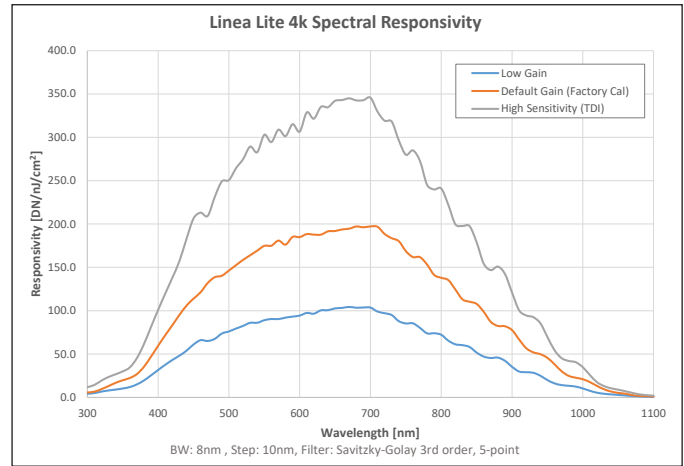
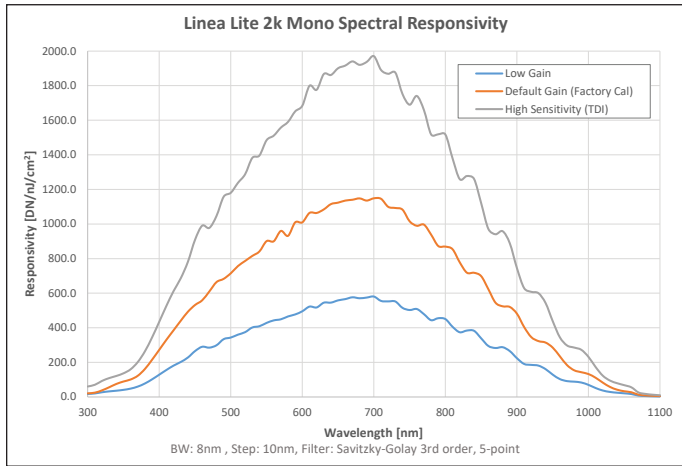
SPECIFICATIONS


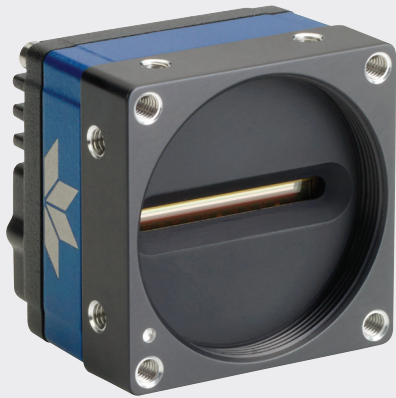
TABLE A	
CAMERA P/N	DIMENSION
L2-XX-02KXXX-	23.2 ± 0.30
L2-XX-04KXXX-	23.0 ± 0.30

NOTES:
 1. UNITS: MILLIMETERS.
 2. IMAGE AREA IS ALIGNED TO DATUMS **A**, **B** & **C**.

Americas Boston, USA | +1 978-670-2000 | TDI_sales.americas@teledynedalsa.com
Europe Krailing, Germany | +49 89-89-54-57-3-80 | TDI_sales.europe@teledynedalsa.com
Asia Pacific Tokyo, Japan | +81 3-5960-6353 | TDI_sales.asia@teledynedalsa.com
 Shanghai, China | +86 21-3368-0027 | TDI_sales.asia@teledynedalsa.com

LINEA™ LITE

Bilinear Color Line Scan Cameras



KEY FEATURES

- Bilinear color
- Multiple regions of interest for calibration and data reduction
- 4 programmable coefficient sets
- Programmable I/Os
- Compact form factor
- Precision Time Protocol
- GigE Vision, PoE

TYPICAL APPLICATIONS

- Automated optical inspection
- Optical sorting
- Food packaging
- Film and textile
- Wood inspection
- Print inspection
- Web inspection
- General machine vision

Linea Lite Color GigE Cameras

Compact and remarkably cost effective, Linea Lite makes line scan more accessible than ever. Designed with performance in mind, this camera offers superior color fidelity at 2k or 4k resolution with a GigE Vision® interface.

SPECIFICATIONS

Part Number	L2-GC-02k02B	L2-GC-04k01B
Resolution	2048 x 2 pixels	4096 x 2 pixels
Max Line Rate (kHz)	25* 64 (burst)	12.5* 32 (burst)
Pixel Size (µm)	14 x 14	7 x 7
Data Format (bit)	8 or 12	
Dynamic Range (dB)	72	
Full Well (ke-)	30	
Read Noise (e-)	8.5	
Power Dissipation (W)	<5	
Operating Temp (°C)	0 to +65	
Dimensions (mm)	46 (W) x 46 (H) x 37 (D)	
Weight (g)	150	
Lens Mount	M42	
Data Interface	GigE Vision	
Power and GPIO	+12 to +24VDC, HD15 (RJ-45 in PoE)	

* Without TurboDrive. With TurboDrive, maximum line rate could be 2~3x higher depending on image contents

SPECIFICATIONS

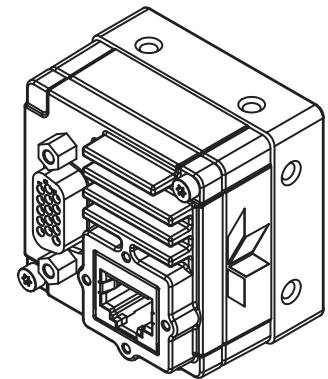
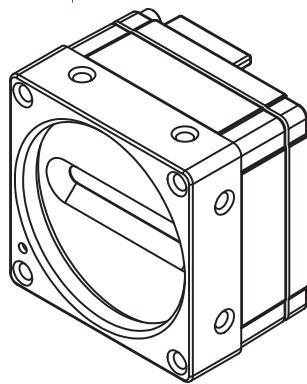
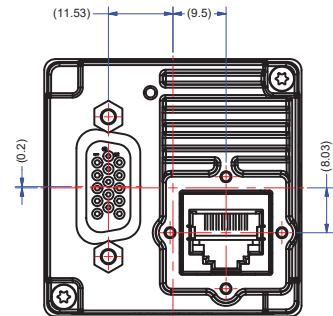
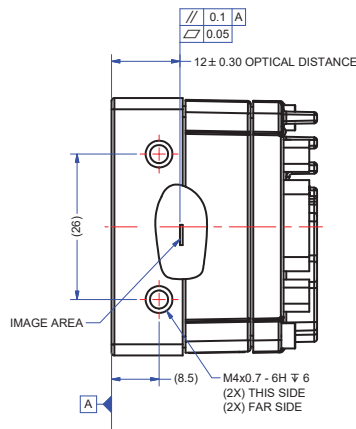
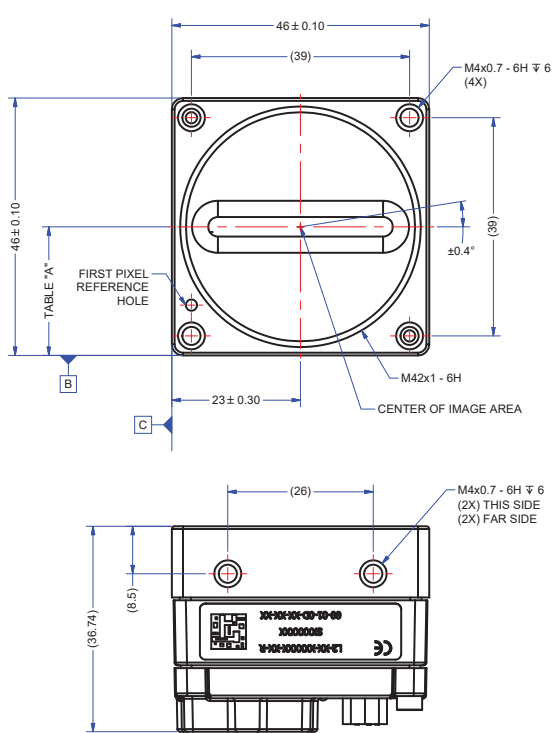
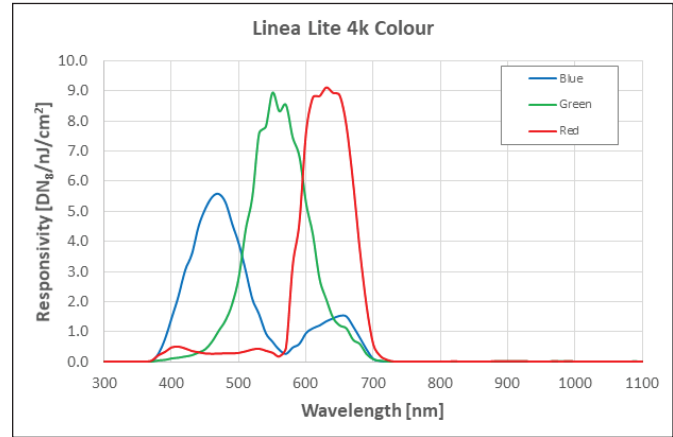
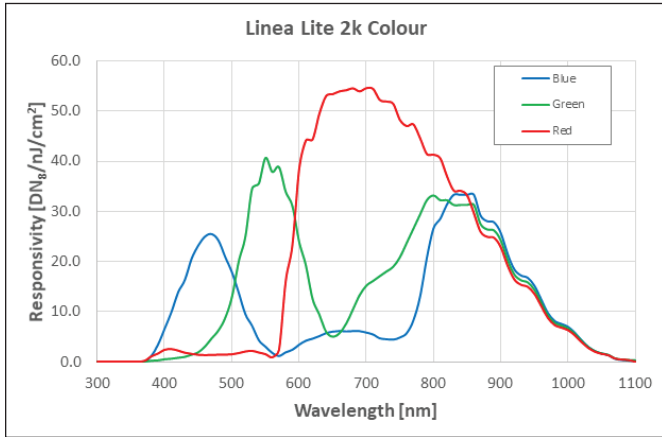


TABLE A	
CAMERA P/N	DIMENSION
L2-XX-02KXXX-	23.2 ± 0.30
L2-XX-04KXXX-	23.0 ± 0.30

NOTES:
1. UNITS: MILLIMETERS.
2. IMAGE AREA IS ALIGNED TO DATUMS [A] [B] & [C].

FOR MORE INFORMATION CONTACT:

AMERICAS Boston, USA | +1 978-670-2000 | TDI_sales.americas@teledynedalsa.com
 EUROPE Krailling, Germany | +49 89-89-54-57-3-80 | TDI_sales.europe@teledynedalsa.com
 ASIA PACIFIC Tokyo, Japan | +81 3-5960-6353 | TDI_sales.asia@teledynedalsa.com
 Shanghai, China | +86 21-3368-0027 | TDI_sales.asia@teledynedalsa.com

This document does not contain information whose export/transfer/disclosure is restricted by the Canadian Export Control regulation. Teledyne DALSA has its corporate offices in Waterloo, Canada. Teledyne DALSA reserves the right to make changes at any time without notice. 2022 © Teledyne DALSA.

Revision Number: 03-070-25004-00
Revision Date: 2022 03 23